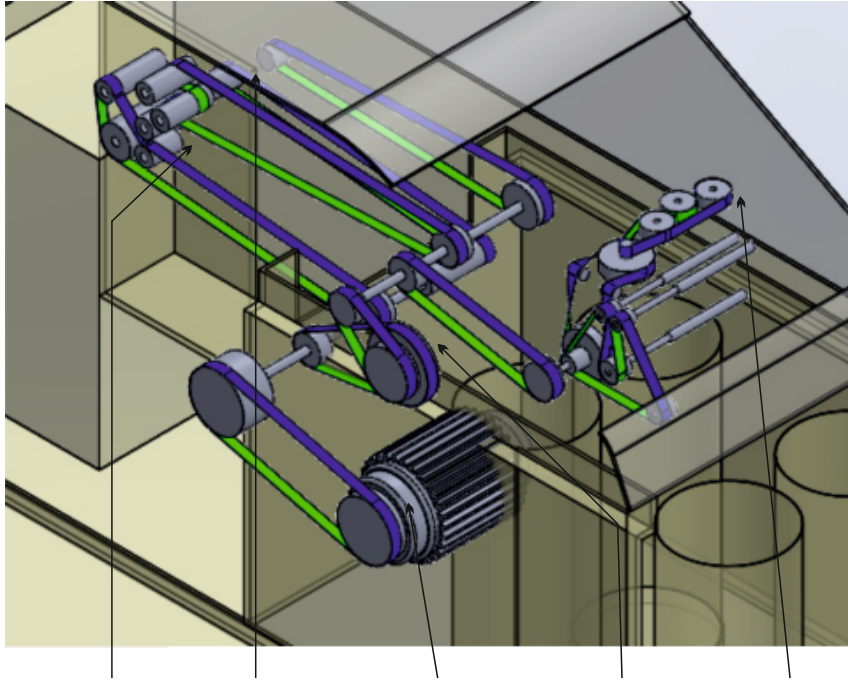
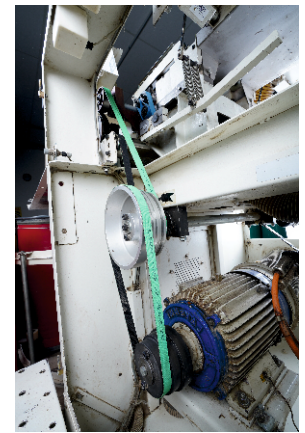
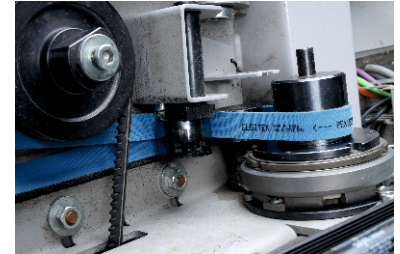


Draw Frame

ELGITEX offers specially made belts for all models in Draw Frame applications.



Brake draft Front Roller Drive Main Drive Calendar Roll Scanning Roller Drive



| Application | Belt Grade | Thickness | K1% N/mm | Joint Type |
|------------------|------------|-----------|----------|------------|
| Main Drive | GGX09RR | 2.35 | 9.0 | Overlap |
| | PEX1825 | 2.50 | 18.0 | Finger |
| Creel Zone | PEX1825 | 2.50 | 18.0 | Finger |
| Drafting Zone | GGX06RR | 1.80 | 6.0 | Overlap |
| | PEX1020 | 2.00 | 10.0 | Finger |
| Scanning Zone | GGX04RR | 1.60 | 4.0 | Overlap |
| | PEX0515 | 1.50 | 5.0 | Finger |
| | PEX1020 | 2.00 | 10.0 | Finger |
| Calendering Zone | GGX06RR | 1.80 | 6.0 | Overlap |
| | PEX1020 | 2.00 | 10.0 | Finger |
| | PEX1520 | 2.00 | 15.0 | Finger |
| | PEX 1820 | 2.00 | 18.0 | Finger |

Features

- High Abrasion resistance
- Constant co-efficient of friction
- Excellent flexibility
- Improved service life
- Minimal slippage