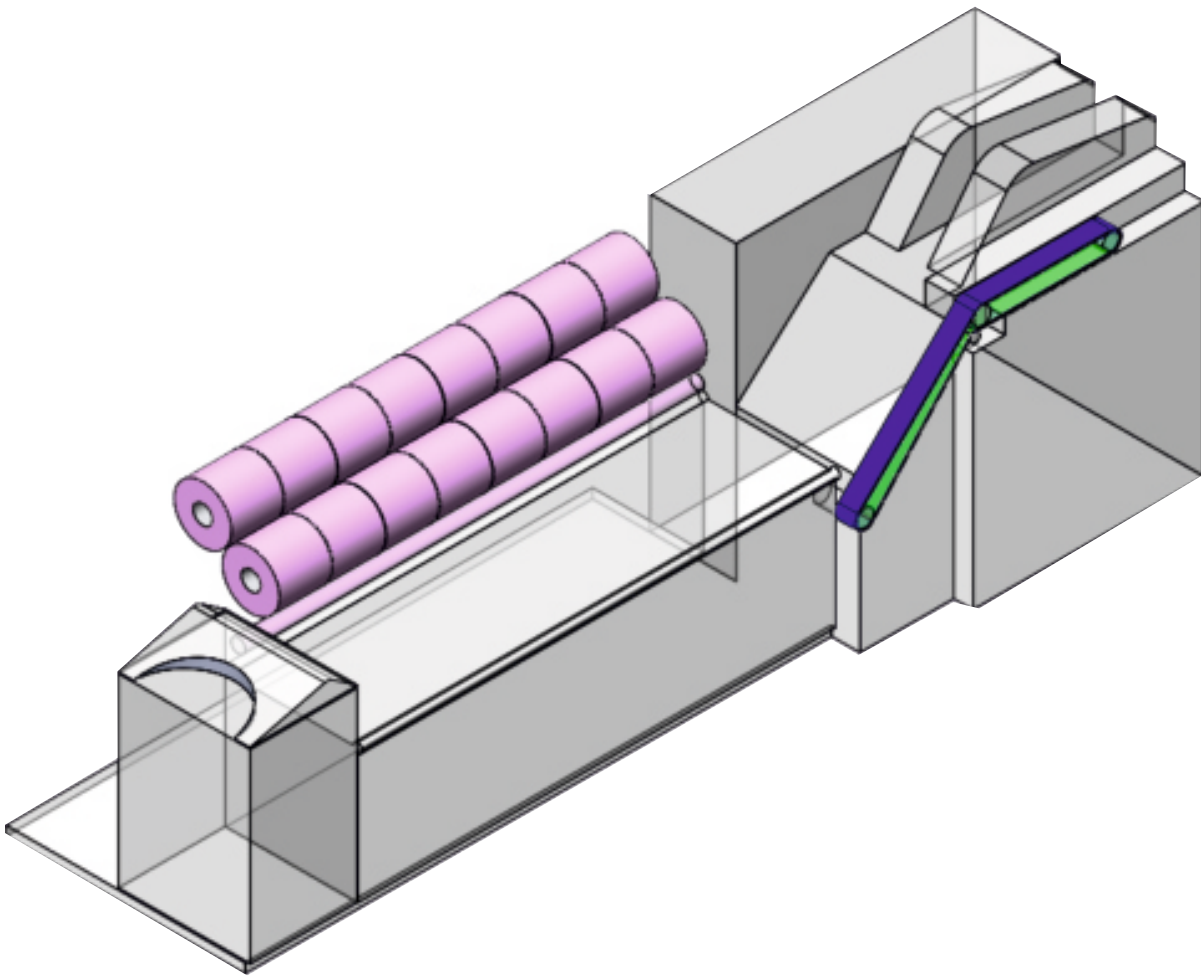


Combing

ELGITEX offers specially made belts for all models in Combing applications.



Features

Gentle Fibre Transportation
Excellent Non-sticking Property
Highly anti-static
Tracking resistance

Application	Belt Grade	Thickness	K1% N/mm	Joint Type
Silver Conveyor	GG02SS	1.10	2.0	Overlap
	EE5015	1.50	5.0	Finger