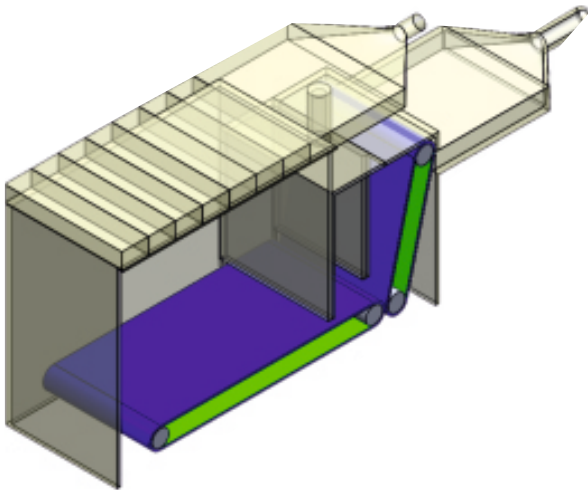
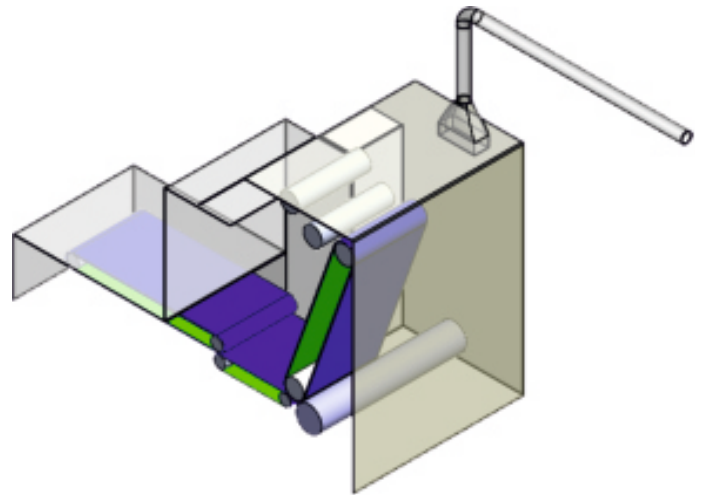


Blow Room

Blending Opener



Bale Opener



Application	Belt Grade	Thickness	K1%N/mm	Joint Type
Drive Belt	LT09	2.90	9.0	Overlap
	GGX09RR	2.35	9.0	Overlap
	GR11	3.40	11.0	Overlap
Feed Apron/ Transport Apron	EM8/2 PVC GREEN 20 SF AS	2.00	8.0	Finger

Features

- Durable
- Consistent Performance
- Permanently anti-static